



SEZO Sp. z o.o.
Pomeranian Science and Technology Park
Al. Zwycięstwa 96/98
81 - 451 Gdynia, Poland
Phone / Fax +48 (58) 663 10 10
E-Mail: info@sezo.pl Web: www.sezo.pl



PRODUCT NAME	SEZO A11
DESCRIPTION	<ul style="list-style-type: none">• Compact sensor device measuring environmental parameters, luminosity, noise and air quality with accelerometer¹, magnetometer¹ and motion detector¹ options• Suitable for indoor and outdoor environment monitoring• LoRaWAN networking technology for long transmission range• USB configuration• Every unit is shipped with individual test report
MEASURED PARAMETERS	Temperature, Humidity, Air Pressure, Luminosity, Noise, Particulate matter, acceleration ¹ , magnetic field ¹ , motion (PIR) ¹
OPERATING TEMPERATURE	-30 ÷ 60°C
MEASUREMENT RANGE AND ACCURACY	<ul style="list-style-type: none">• Temperature: -30 ÷ 60°C, typ. ±0.3°C, max ±1°C• Humidity: 0 ÷ 100%, typ. ±2%, max. ±5% @25°C @20 ÷ 80% RH• Air pressure: 260 ÷ 1260 hPa, ±3 hPa• Luminosity: 0 ÷ 1000 lx, typ. ±10%, max ±35% @500lx• Noise: 40 ÷ 100dB, ±6dB at voice frequency band• PM: 0 ÷ 500 µg/m³, ±10 µg/m³ @<100 µg/m³ (measurement disabled below -10°C)• Accelerometer: 0 ÷ ±157 m/s², max. ±7%¹• Magnetometer: 0 ÷ ±49gauss, max. ±7%¹• PIR motion detection: 1m range for human-sized object¹
COMMUNICATION PROTOCOL	LoRaWAN v1.0.2, Class A device
FREQUENCY AND TRANSMISSION POWER	868 MHz, maximum 14 dBm
DATA TRANSMISSION INTERVAL	Default 15 minutes (configurable) or event-triggered
POWER SUPPLY	External AC adapter 100-240V 50Hz max. 1W, Europlug
ENCLOSURE AND MOUNTING	IP55, polycarbonate, four screw holes
WEIGHT	170 g (without AC adapter and power cable)
PRODUCT DIMENSIONS	Length 89 mm, width 80 mm, height 48.5 mm

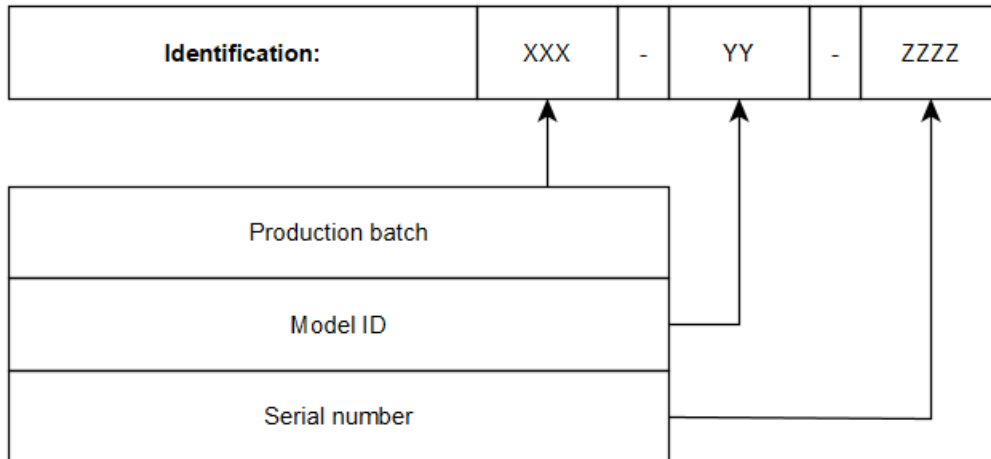
¹ Optional sensors available Q2 2020 (please see **Identification and variants**)



SEZO Sp. z o.o.
Pomeranian Science and Technology Park
Al. Zwycięstwa 96/98
81 - 451 Gdynia, Poland
Phone / Fax +48 (58) 663 10 10
E-Mail: info@sezo.pl Web: www.sezo.pl



Identification and variants:



Ordering codes table:

Model/ordering code	Model ID	Sensors on board
CL	0	Temperature, humidity, luminosity
SL	1	Temperature, humidity, luminosity, acceleration, magnetic field, motion (PIR)
EL	2	Temperature, Humidity, Air Pressure, Luminosity, Noise, acceleration, magnetic field, motion (PIR) <i>(in development, estimated release Q2 2020)</i>
EL A	2A	Temperature, Humidity, Air Pressure, Luminosity, Noise
A1L	3	Temperature, Humidity, Air Pressure, Luminosity, Noise, Particulate matter, acceleration, magnetic field, motion (PIR) <i>(in development, estimated release Q2 2020)</i>
A1L A	3A	Temperature, Humidity, Air Pressure, Luminosity, Noise, Particulate matter
TM	4	Geolocation, Impact / acceleration (accident detection), Altitude
TL	5	In development
HT	6	In development
BL	7	Temperature, humidity and luminosity