



SEZO Sp. z o.o.  
Pomeranian Science and Technology Park  
Al. Zwycięstwa 96/98  
81 - 451 Gdynia, Poland  
Phone / Fax +48 (58) 663 10 10  
E-Mail: [info@sezo.pl](mailto:info@sezo.pl) Web: [www.sezo.pl](http://www.sezo.pl)



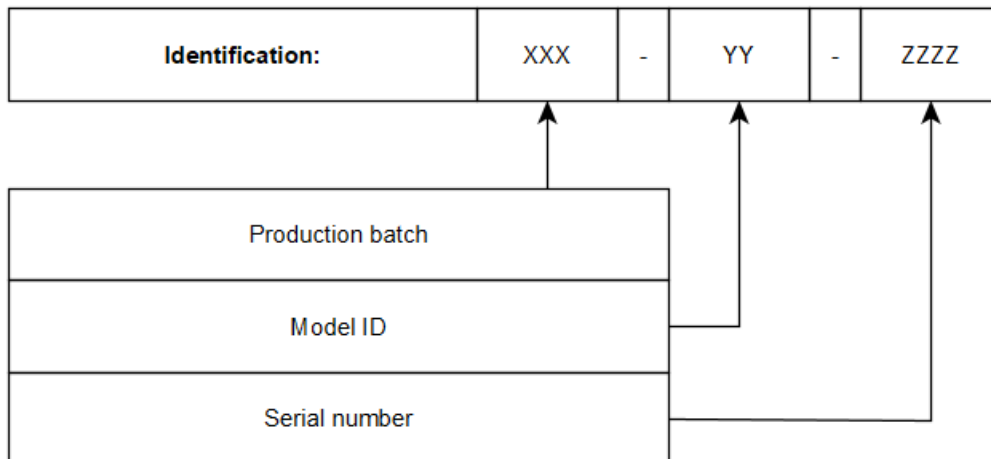
PRODUCT NAME	SEZO CL
DESCRIPTION	<ul style="list-style-type: none"><li>• Compact low-power sensor device measuring temperature, humidity and luminosity</li><li>• LoRaWAN networking technology for long transmission range and very long battery life (up to 3 years on a single battery)</li><li>• Made for indoor condition monitoring in human-occupied spaces</li><li>• USB configuration</li><li>• Every unit is shipped with individual test report confirming all specified parameters.</li></ul>
MEASURED PARAMETERS	Temperature, humidity and luminosity
OPERATING TEMPERATURE	-30 ÷ 60°C
MEASUREMENT RANGE AND ACCURACY	<ul style="list-style-type: none"><li>• Temperature: -30 ÷ 60°C, typ. ±0,3°C, max ±1°C</li><li>• Humidity: 0 ÷ 100%, typ. ±2%, max. ±5% @25°C @20 ÷80% RH</li><li>• Luminosity: 0 ÷ 1000 lx, typ. ±10%, max ±35% @500lx</li></ul>
COMMUNICATION PROTOCOL	LoRaWAN v1.0.2, Class A device
FREQUENCY AND TRANSMISSION POWER	868 MHz, maximum 14 dBm
DATA TRANSMISSION INTERVAL	Default 15 minutes (configurable) or event-triggered
BATTERY	1/2 AA 3.6V (1200 mAh)
ENCLOSURE	IP54, ABS
WEIGHT	40 g
PRODUCT DIMENSIONS	Length 66 mm, width 50 mm, height 26 mm



SEZO Sp. z o.o.  
Pomeranian Science and Technology Park  
Al. Zwycięstwa 96/98  
81 - 451 Gdynia, Poland  
Phone / Fax +48 (58) 663 10 10  
E-Mail: [info@sezo.pl](mailto:info@sezo.pl) Web: [www.sezo.pl](http://www.sezo.pl)



### Identification and variants:



### Ordering codes table:

Model/ordering code	Model ID	Sensors on board
CL	0	Temperature, humidity, luminosity
SL	1	Temperature, humidity, luminosity, acceleration, magnetic field, motion (PIR)
EL	2	Temperature, Humidity, Air Pressure, Luminosity, Noise, acceleration, magnetic field, motion (PIR) <i>(in development, estimated release Q2 2020)</i>
EL A	2A	Temperature, Humidity, Air Pressure, Luminosity, Noise
A1L	3	Temperature, Humidity, Air Pressure, Luminosity, Noise, Particulate matter, acceleration, magnetic field, motion (PIR) <i>(in development, estimated release Q2 2020)</i>
A1L A	3A	Temperature, Humidity, Air Pressure, Luminosity, Noise, Particulate matter
TM	4	Geolocation, Impact / acceleration (accident detection), Altitude
TL	5	In development
HT	6	In development
BL	7	Temperature, humidity and luminosity