



SEZO Sp. z o.o.
Pomeranian Science and Technology Park
Al. Zwycięstwa 96/98
81 - 451 Gdynia, Poland
Phone / Fax +48 (58) 663 10 10
E-Mail: info@sezo.pl Web: www.sezo.pl



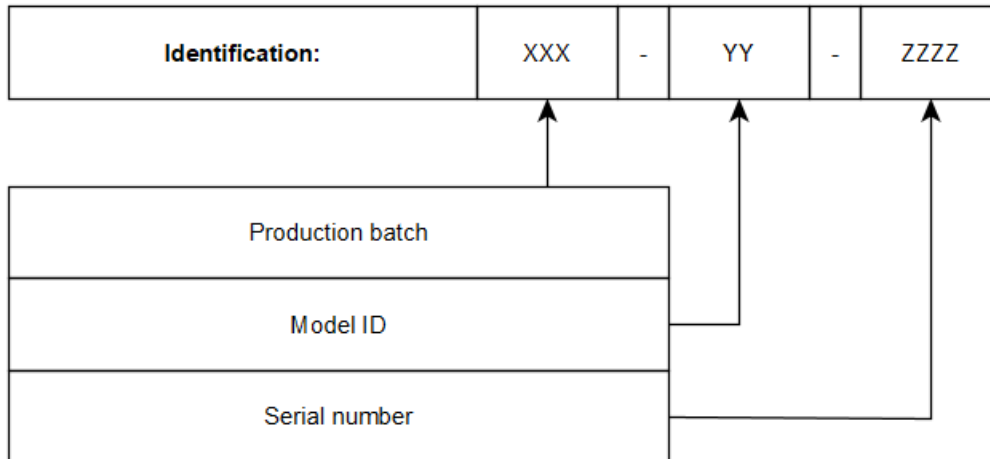
PRODUCT NAME	SEZO SL
DESCRIPTION	<ul style="list-style-type: none">• Compact low-power sensor device measuring temperature, humidity and luminosity; equipped with accelerometer, magnetometer and motion detector• LoRaWAN networking technology for long transmission range and very long battery life (up to 3 years on a single battery)• Made for indoor condition monitoring in different scenarios including sub-zero temperatures• USB configuration• Every unit is shipped with individual test report
MEASURED PARAMETERS	Temperature, humidity, luminosity, acceleration, magnetic field, motion (PIR)
OPERATING TEMPERATURE	-30 ÷ 60°C
MEASUREMENT RANGE AND ACCURACY	<ul style="list-style-type: none">• Temperature: -30 ÷ 60°C, typ. ±0,3°C, max ±1°C• Humidity: 0 ÷ 100%, typ. ±2%, max. ±5% @25°C @0 ÷ 80% RH• Luminosity: 0 ÷ 1000 lx, typ. ±10%, max ±35% @500lx• Accelerometer: 0 ÷ ±157 m/s², max. ±7%• Magnetometer: 0 ÷ ±49gauss, max. ±7%• PIR motion detection: 1m range for human-sized object
COMMUNICATION PROTOCOL	LoRaWAN v1.0.2, Class A device
FREQUENCY AND TRANSMISSION POWER	868 MHz, maximum 14 dBm
DATA TRANSMISSION INTERVAL	Default 15 minutes (configurable) or event-triggered
BATTERY	1/2 AA 3.6V (1200 mAh)
ENCLOSURE	IP54, ABS
WEIGHT	60 g
PRODUCT DIMENSIONS	Length 66 mm, width 50 mm, height 33 mm



SEZO Sp. z o.o.
Pomeranian Science and Technology Park
Al. Zwycięstwa 96/98
81 - 451 Gdynia, Poland
Phone / Fax +48 (58) 663 10 10
E-Mail: info@sezo.pl Web: www.sezo.pl



Identification and variants:



Ordering codes table:

Model/ordering code	Model ID	Sensors on board
CL	0	Temperature, humidity, luminosity
SL	1	Temperature, humidity, luminosity, acceleration, magnetic field, motion (PIR)
EL	2	Temperature, Humidity, Air Pressure, Luminosity, Noise, acceleration, magnetic field, motion (PIR) <i>(in development, estimated release Q2 2020)</i>
EL A	2A	Temperature, Humidity, Air Pressure, Luminosity, Noise
A1L	3	Temperature, Humidity, Air Pressure, Luminosity, Noise, Particulate matter, acceleration, magnetic field, motion (PIR) <i>(in development, estimated release Q2 2020)</i>
A1L A	3A	Temperature, Humidity, Air Pressure, Luminosity, Noise, Particulate matter
TM	4	Geolocation, Impact / acceleration (accident detection), Altitude
TL	5	In development
HT	6	In development
BL	7	Temperature, humidity and luminosity