



SEZO Sp. z o.o.  
Pomeranian Science and Technology Park  
Al. Zwycięstwa 96/98, Lab C008  
81 - 451 Gdynia, Poland  
Phone / Fax +48 (58) 663 10 10  
E-Mail: [info@sezo.pl](mailto:info@sezo.pl) Web: [www.sezo.pl](http://www.sezo.pl)



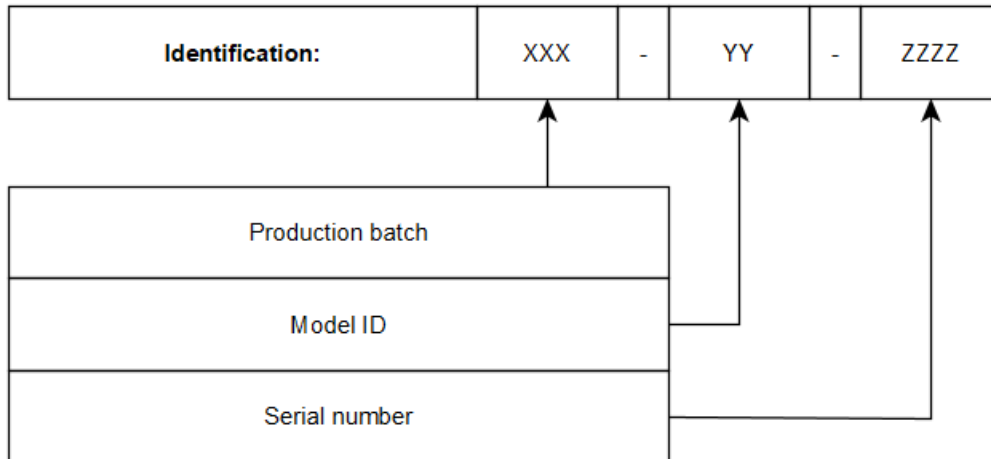
PRODUCT NAME	SEZO TM
DESCRIPTION	<ul style="list-style-type: none"><li>• Multi-purpose 3D tracking device</li><li>• GNSS geolocation with geofence functionality and altitude measurement</li><li>• Ability to receive voice messages played by integrated loudspeaker</li><li>• Remote configuration (Bluetooth or cellular)</li><li>• Configurable NFC tag for access control</li></ul>
MEASURED PARAMETERS	<ul style="list-style-type: none"><li>• Geolocation (<math>\pm 1\text{m}</math> in outdoor conditions),</li><li>• Impact / acceleration (accident detection),</li><li>• Altitude (<math>\pm 1\text{m}</math> accuracy if pressure reference is on site)</li></ul>
OPERATING TEMPERATURE	$-30 \div 60^\circ\text{C}$
COMMUNICATION PROTOCOLS	<ul style="list-style-type: none"><li>• LTE-M, NB-IoT and E-GPRS</li><li>• Bluetooth Low Energy</li><li>• NFC</li></ul>
DATA TRANSMISSION INTERVAL	<ul style="list-style-type: none"><li>• Default 15 seconds, configurable interval (buffering available – data can be gathered in device memory and sent in bulk transfer)</li><li>• Transmission triggered by alert (e.g. accident, speeding)</li></ul>
BATTERY	<ul style="list-style-type: none"><li>• Around 20h of live tracking,</li><li>• Sleep mode,</li><li>• 1800 mAh battery capacity (rechargeable, inconvertible),</li><li>• Qi wireless charging</li></ul>
ENCLOSURE AND MOUNTING	IP67, material: ABS Mounting brackets
WEIGHT	114 g
PRODUCT DIMENSIONS	Length 81 mm, width 68 mm, height 44 mm



SEZO Sp. z o.o.  
Pomeranian Science and Technology Park  
Al. Zwycięstwa 96/98, Lab C008  
81 - 451 Gdynia, Poland  
Phone / Fax +48 (58) 663 10 10  
E-Mail: [info@sezo.pl](mailto:info@sezo.pl) Web: [www.sezo.pl](http://www.sezo.pl)



### Identification and variants:



### Ordering codes table:

Model/ordering code	Model ID	Sensors on board
CL	0	Temperature, humidity, luminosity
SL	1	Temperature, humidity, luminosity, acceleration, magnetic field, motion (PIR)
EL	2	Temperature, Humidity, Air Pressure, Luminosity, Noise, acceleration, magnetic field, motion (PIR) <i>(in development, estimated release Q2 2020)</i>
EL A	2A	Temperature, Humidity, Air Pressure, Luminosity, Noise
A1L	3	Temperature, Humidity, Air Pressure, Luminosity, Noise, Particulate matter, acceleration, magnetic field, motion (PIR) <i>(in development, estimated release Q2 2020)</i>
A1L A	3A	Temperature, Humidity, Air Pressure, Luminosity, Noise, Particulate matter
TM	4	Geolocation, Impact / acceleration (accident detection), Altitude
TL	5	In development
HT	6	In development
BL	7	Temperature, humidity and luminosity